

## Latches

**Zinc Die Casting / Stainless Steel,  
with Extended Housing, Operation with Socket Keys /  
with Operating Elements, Lockable / not Lockable**

### SPECIFICATION

#### Version in Zinc Die Casting

##### Types

- Type **DK**: With triangular spindle
- Type **VK7**: With square spindle
- Type **VK8**: With square spindle
- Type **SCH**: With slot
- Type **VDE**: With double bit
- Type **SCK**: With wing knob (same lock)
- Type **SCT**: With T-Handle (same lock)
- Type **SG**: With star knob
- Type **SK**: With wing knob
- Type **ST**: With T-handle
- Type **RG**: With knurled knob GN 7336
- Type **KG**: With wing knob
- Type **HG**: With lever

##### Lock housing

Zinc die casting **ZD**

##### Housing collar

Powder coated

Black, RAL 9005, textured finish **SW**

##### Operating elements

Plastic (Polyamide PA)

Black, matte finish

##### Key

Nickel silver with plastic hand piece

Cover cap (Type RG, KG, HG)

Plastic (Polyamide PA)

Light gray, matte finish

##### Other parts

Steel, zinc plated, blue passivated

Protection class IP 65

#### Version in Stainless Steel

##### Types

- Type **DK**: With triangular spindle
- Type **VK7**: With square spindle
- Type **VK8**: With square spindle
- Type **SCH**: With slot
- Type **VDE**: With double bit
- Type **RG**: With plastic knurled knob GN 7336
- Type **KG**: With wing plastic knob
- Type **HG**: With plastic lever
- Type **SG**: With stainless steel star knob
- Type **KGN**: With stainless steel wing knob
- Type **HGN**: With stainless steel lever

##### Lock housing

Stainless steel **NI**

- AISI 316 (at  $h_1 = 30$ )

- AISI 303 (at  $h_1 = 50$ )

- Plain finish **BL**

##### Latch arm

Stainless steel AISI 304



##### Operating elements

- Type **SG**  
Stainless steel AISI 304  
Sheet metal drawn and hub welded
- Type **KGN, HGN**  
Stainless steel AISI CF-8
- Type **RG, KG, HG**  
Plastic (Polyamide PA)  
Black, matte finish

##### Other parts

Stainless steel AISI 303 (Types DK, VK7, VK8, SCH, VDE)

Stainless steel AISI 304 (Types RG, KG, HG, SG, KGN, HGN)

Protection class IP 65

### INFORMATION

Latches GN 515 are identical to standard latches GN 115 except for the extended housing. They are operated with a rotation limited to 90°, which moves the latch arm into the locked position behind the frame. The bevels of the latch arm ease the closing of the door. Thanks to the stainless steel material, the latches are optimally suited for use in corrosive environments.

By installing latch arms (zinc die casting version) with different bend profiles, the latch distance A can be varied from 16 to 92 mm depending on the housing height  $h_1$ , while the extended housing is suitable for a door thickness s up to 50 mm.

By installing latch arms (stainless steel version) with different bend profiles, the latch distance A can be varied from 18 to 82 mm depending on the housing height  $h_1$ , while the extended housing is suitable for a door thickness s up to 40 mm.

The latches (with operating elements, lockable) each come with 2 keys and loosely enclosed latch arm. The key can be removed in both end positions. The lock is standard, so that every lock can be opened with the same key.

Latches GN 515 (except types SCK, SCT) are supplied with loosely enclosed latch arm.

### ACCESSORY

- Socket Keys GN 119.2 (see page 1530)  
(Types DK, VK7, VK8, SCH, VDE)
- Opening Handles GN 120.1 (see page 1487)  
(Types DK, VK7, VK8, SCH, VDE)
- Protective Guide Plates GN 120.2 (see page 1479)  
(Types DK, VK7, VK8, SCH, VDE, SCK, SCT)
- Protective Caps GN 120 (see page 1486)  
(Types DK, VK7, VK8, SCH, VDE, for stainless steel version)

### TECHNICAL INFORMATION

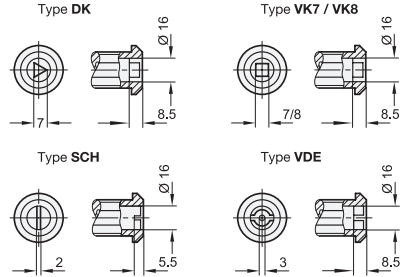
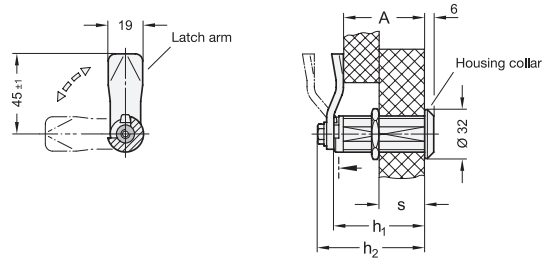
- IP Protection Classes (see page A23)
- Plastic Characteristics (see page A2)
- Stainless Steel Characteristics (see page A26)

\* Complete with type index of the latch

**DK VK7 VK8 SCH VDE**

### GN 515-ZD

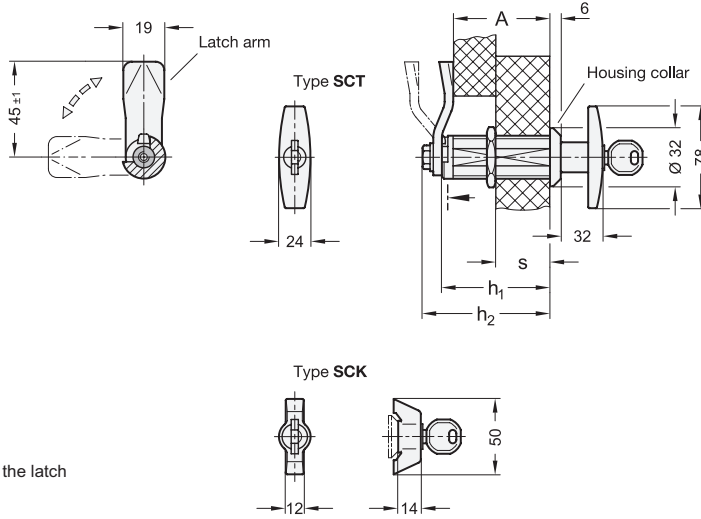
| Description         | h <sub>1</sub> | Latch arm distance A | h <sub>2</sub> | s max. | ⚖️  |
|---------------------|----------------|----------------------|----------------|--------|-----|
| GN 515-ZD-*30-16-SW | 30             | 16                   | 40             | 20     | 106 |
| GN 515-ZD-*30-20-SW | 30             | 20                   | 40             | 20     | 104 |
| GN 515-ZD-*30-25-SW | 30             | 25                   | 40             | 20     | 103 |
| GN 515-ZD-*30-28-SW | 30             | 28                   | 40             | 20     | 96  |
| GN 515-ZD-*30-32-SW | 30             | 32                   | 40             | 20     | 102 |
| GN 515-ZD-*30-36-SW | 30             | 36                   | 40             | 20     | 102 |
| GN 515-ZD-*30-40-SW | 30             | 40                   | 40             | 20     | 104 |
| GN 515-ZD-*30-44-SW | 30             | 44                   | 40             | 20     | 106 |
| GN 515-ZD-*30-48-SW | 30             | 48                   | 40             | 20     | 106 |
| GN 515-ZD-*30-52-SW | 30             | 52                   | 40             | 20     | 114 |
| GN 515-ZD-*30-57-SW | 30             | 57                   | 40             | 20     | 106 |
| GN 515-ZD-*30-18-SW | 30             | 18                   | 40             | 20     | 103 |
| GN 515-ZD-*30-22-SW | 30             | 22                   | 40             | 20     | 103 |
| GN 515-ZD-*30-26-SW | 30             | 26                   | 40             | 20     | 103 |
| GN 515-ZD-*30-30-SW | 30             | 30                   | 40             | 20     | 101 |
| GN 515-ZD-*30-34-SW | 30             | 34                   | 40             | 20     | 102 |
| GN 515-ZD-*30-38-SW | 30             | 38                   | 40             | 20     | 104 |
| GN 515-ZD-*30-42-SW | 30             | 42                   | 40             | 20     | 105 |
| GN 515-ZD-*30-46-SW | 30             | 46                   | 40             | 20     | 108 |
| GN 515-ZD-*30-50-SW | 30             | 50                   | 40             | 20     | 111 |
| GN 515-ZD-*30-54-SW | 30             | 54                   | 40             | 20     | 113 |
| GN 515-ZD-*30-62-SW | 30             | 62                   | 40             | 20     | 118 |
| GN 515-ZD-*40-26-SW | 40             | 26                   | 50             | 30     | 126 |
| GN 515-ZD-*40-30-SW | 40             | 30                   | 50             | 30     | 124 |
| GN 515-ZD-*40-35-SW | 40             | 35                   | 50             | 30     | 123 |
| GN 515-ZD-*40-38-SW | 40             | 38                   | 50             | 30     | 116 |
| GN 515-ZD-*40-42-SW | 40             | 42                   | 50             | 30     | 122 |
| GN 515-ZD-*40-46-SW | 40             | 46                   | 50             | 30     | 122 |
| GN 515-ZD-*40-50-SW | 40             | 50                   | 50             | 30     | 124 |
| GN 515-ZD-*40-54-SW | 40             | 54                   | 50             | 30     | 126 |
| GN 515-ZD-*40-58-SW | 40             | 58                   | 50             | 30     | 126 |
| GN 515-ZD-*40-62-SW | 40             | 62                   | 50             | 30     | 134 |
| GN 515-ZD-*40-67-SW | 40             | 67                   | 50             | 30     | 126 |
| GN 515-ZD-*40-28-SW | 40             | 28                   | 50             | 30     | 123 |
| GN 515-ZD-*40-32-SW | 40             | 32                   | 50             | 30     | 123 |
| GN 515-ZD-*40-36-SW | 40             | 36                   | 50             | 30     | 123 |
| GN 515-ZD-*40-40-SW | 40             | 40                   | 50             | 30     | 121 |
| GN 515-ZD-*40-44-SW | 40             | 44                   | 50             | 30     | 122 |
| GN 515-ZD-*40-48-SW | 40             | 48                   | 50             | 30     | 124 |
| GN 515-ZD-*40-52-SW | 40             | 52                   | 50             | 30     | 125 |
| GN 515-ZD-*40-56-SW | 40             | 56                   | 50             | 30     | 128 |
| GN 515-ZD-*40-60-SW | 40             | 60                   | 50             | 30     | 131 |
| GN 515-ZD-*40-64-SW | 40             | 64                   | 50             | 30     | 133 |
| GN 515-ZD-*40-72-SW | 40             | 72                   | 50             | 30     | 138 |
| GN 515-ZD-*50-36-SW | 50             | 36                   | 60             | 40     | 142 |



| Description         | h <sub>1</sub> | Latch arm distance A | h <sub>2</sub> | s max. | ⚖️  |
|---------------------|----------------|----------------------|----------------|--------|-----|
| GN 515-ZD-*50-40-SW | 50             | 40                   | 60             | 40     | 140 |
| GN 515-ZD-*50-45-SW | 50             | 45                   | 60             | 40     | 139 |
| GN 515-ZD-*50-48-SW | 50             | 48                   | 60             | 40     | 132 |
| GN 515-ZD-*50-52-SW | 50             | 52                   | 60             | 40     | 138 |
| GN 515-ZD-*50-56-SW | 50             | 56                   | 60             | 40     | 138 |
| GN 515-ZD-*50-60-SW | 50             | 60                   | 60             | 40     | 140 |
| GN 515-ZD-*50-64-SW | 50             | 64                   | 60             | 40     | 142 |
| GN 515-ZD-*50-68-SW | 50             | 68                   | 60             | 40     | 142 |
| GN 515-ZD-*50-72-SW | 50             | 72                   | 60             | 40     | 150 |
| GN 515-ZD-*50-77-SW | 50             | 77                   | 60             | 40     | 142 |
| GN 515-ZD-*50-38-SW | 50             | 38                   | 60             | 40     | 139 |
| GN 515-ZD-*50-42-SW | 50             | 42                   | 60             | 40     | 139 |
| GN 515-ZD-*50-46-SW | 50             | 46                   | 60             | 40     | 139 |
| GN 515-ZD-*50-50-SW | 50             | 50                   | 60             | 40     | 137 |
| GN 515-ZD-*50-54-SW | 50             | 54                   | 60             | 40     | 138 |
| GN 515-ZD-*50-58-SW | 50             | 58                   | 60             | 40     | 140 |
| GN 515-ZD-*50-62-SW | 50             | 62                   | 60             | 40     | 141 |
| GN 515-ZD-*50-66-SW | 50             | 66                   | 60             | 40     | 144 |
| GN 515-ZD-*50-70-SW | 50             | 70                   | 60             | 40     | 147 |
| GN 515-ZD-*50-74-SW | 50             | 74                   | 60             | 40     | 149 |
| GN 515-ZD-*50-82-SW | 50             | 82                   | 60             | 40     | 154 |
| GN 515-ZD-*60-46-SW | 60             | 46                   | 70             | 50     | 158 |
| GN 515-ZD-*60-50-SW | 60             | 50                   | 70             | 50     | 156 |
| GN 515-ZD-*60-55-SW | 60             | 55                   | 70             | 50     | 155 |
| GN 515-ZD-*60-58-SW | 60             | 58                   | 70             | 50     | 148 |
| GN 515-ZD-*60-62-SW | 60             | 62                   | 70             | 50     | 154 |
| GN 515-ZD-*60-66-SW | 60             | 66                   | 70             | 50     | 154 |
| GN 515-ZD-*60-70-SW | 60             | 70                   | 70             | 50     | 156 |
| GN 515-ZD-*60-74-SW | 60             | 74                   | 70             | 50     | 158 |
| GN 515-ZD-*60-78-SW | 60             | 78                   | 70             | 50     | 158 |
| GN 515-ZD-*60-82-SW | 60             | 82                   | 70             | 50     | 166 |
| GN 515-ZD-*60-87-SW | 60             | 87                   | 70             | 50     | 158 |
| GN 515-ZD-*60-48-SW | 60             | 48                   | 70             | 50     | 155 |
| GN 515-ZD-*60-52-SW | 60             | 52                   | 70             | 50     | 155 |
| GN 515-ZD-*60-56-SW | 60             | 56                   | 70             | 50     | 155 |
| GN 515-ZD-*60-60-SW | 60             | 60                   | 70             | 50     | 153 |
| GN 515-ZD-*60-64-SW | 60             | 64                   | 70             | 50     | 154 |
| GN 515-ZD-*60-68-SW | 60             | 68                   | 70             | 50     | 156 |
| GN 515-ZD-*60-72-SW | 60             | 72                   | 70             | 50     | 157 |
| GN 515-ZD-*60-76-SW | 60             | 76                   | 70             | 50     | 160 |
| GN 515-ZD-*60-80-SW | 60             | 80                   | 70             | 50     | 163 |
| GN 515-ZD-*60-84-SW | 60             | 84                   | 70             | 50     | 165 |
| GN 515-ZD-*60-92-SW | 60             | 92                   | 70             | 50     | 170 |

Weight type DK





\* Complete with type index of the latch

SCK SCT

GN 515-ZD-L

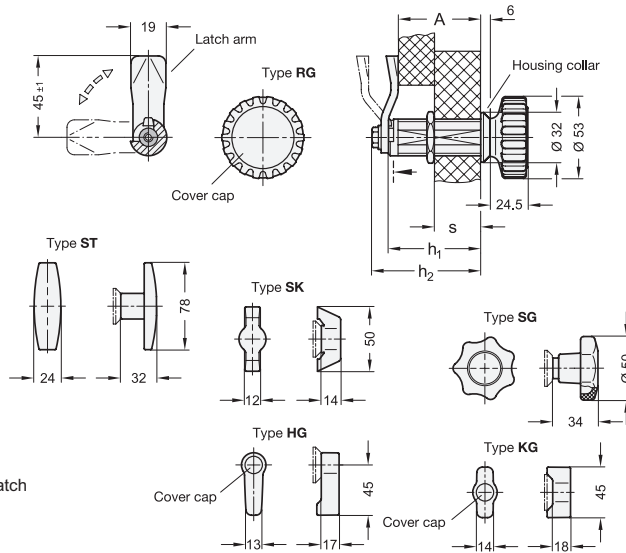
| Description          | h1 | Latch arm distance A | h2 | s max. | ⚖   |
|----------------------|----|----------------------|----|--------|-----|
| GN 515-ZD.*-30-16-SW | 30 | 16                   | 40 | 20     | 136 |
| GN 515-ZD.*-30-20-SW | 30 | 20                   | 40 | 20     | 134 |
| GN 515-ZD.*-30-25-SW | 30 | 25                   | 40 | 20     | 133 |
| GN 515-ZD.*-30-28-SW | 30 | 28                   | 40 | 20     | 126 |
| GN 515-ZD.*-30-32-SW | 30 | 32                   | 40 | 20     | 132 |
| GN 515-ZD.*-30-36-SW | 30 | 36                   | 40 | 20     | 132 |
| GN 515-ZD.*-30-40-SW | 30 | 40                   | 40 | 20     | 134 |
| GN 515-ZD.*-30-44-SW | 30 | 44                   | 40 | 20     | 136 |
| GN 515-ZD.*-30-48-SW | 30 | 48                   | 40 | 20     | 136 |
| GN 515-ZD.*-30-52-SW | 30 | 52                   | 40 | 20     | 144 |
| GN 515-ZD.*-30-57-SW | 30 | 57                   | 40 | 20     | 136 |
| GN 515-ZD.*-30-18-SW | 30 | 18                   | 40 | 20     | 133 |
| GN 515-ZD.*-30-22-SW | 30 | 22                   | 40 | 20     | 133 |
| GN 515-ZD.*-30-26-SW | 30 | 26                   | 40 | 20     | 133 |
| GN 515-ZD.*-30-30-SW | 30 | 30                   | 40 | 20     | 131 |
| GN 515-ZD.*-30-34-SW | 30 | 34                   | 40 | 20     | 132 |
| GN 515-ZD.*-30-38-SW | 30 | 38                   | 40 | 20     | 134 |
| GN 515-ZD.*-30-42-SW | 30 | 42                   | 40 | 20     | 135 |
| GN 515-ZD.*-30-46-SW | 30 | 46                   | 40 | 20     | 138 |
| GN 515-ZD.*-30-50-SW | 30 | 50                   | 40 | 20     | 141 |
| GN 515-ZD.*-30-54-SW | 30 | 54                   | 40 | 20     | 143 |
| GN 515-ZD.*-30-62-SW | 30 | 62                   | 40 | 20     | 148 |
| GN 515-ZD.*-40-26-SW | 40 | 26                   | 50 | 30     | 158 |
| GN 515-ZD.*-40-30-SW | 40 | 30                   | 50 | 30     | 156 |
| GN 515-ZD.*-40-35-SW | 40 | 35                   | 50 | 30     | 155 |
| GN 515-ZD.*-40-38-SW | 40 | 38                   | 50 | 30     | 148 |
| GN 515-ZD.*-40-42-SW | 40 | 42                   | 50 | 30     | 154 |
| GN 515-ZD.*-40-46-SW | 40 | 46                   | 50 | 30     | 154 |
| GN 515-ZD.*-40-50-SW | 40 | 50                   | 50 | 30     | 156 |
| GN 515-ZD.*-40-54-SW | 40 | 54                   | 50 | 30     | 158 |
| GN 515-ZD.*-40-58-SW | 40 | 58                   | 50 | 30     | 158 |
| GN 515-ZD.*-40-62-SW | 40 | 62                   | 50 | 30     | 166 |
| GN 515-ZD.*-40-67-SW | 40 | 67                   | 50 | 30     | 158 |
| GN 515-ZD.*-40-28-SW | 40 | 28                   | 50 | 30     | 155 |
| GN 515-ZD.*-40-32-SW | 40 | 32                   | 50 | 30     | 155 |
| GN 515-ZD.*-40-36-SW | 40 | 36                   | 50 | 30     | 155 |
| GN 515-ZD.*-40-40-SW | 40 | 40                   | 50 | 30     | 153 |
| GN 515-ZD.*-40-44-SW | 40 | 44                   | 50 | 30     | 154 |
| GN 515-ZD.*-40-48-SW | 40 | 48                   | 50 | 30     | 156 |
| GN 515-ZD.*-40-52-SW | 40 | 52                   | 50 | 30     | 157 |
| GN 515-ZD.*-40-56-SW | 40 | 56                   | 50 | 30     | 160 |
| GN 515-ZD.*-40-60-SW | 40 | 60                   | 50 | 30     | 163 |
| GN 515-ZD.*-40-64-SW | 40 | 64                   | 50 | 30     | 165 |
| GN 515-ZD.*-40-72-SW | 40 | 72                   | 50 | 30     | 170 |
| GN 515-ZD.*-50-36-SW | 50 | 36                   | 60 | 40     | 177 |

| Description          | h1 | Latch arm distance A | h2 | s max. | ⚖   |
|----------------------|----|----------------------|----|--------|-----|
| GN 515-ZD.*-50-40-SW | 50 | 40                   | 60 | 40     | 175 |
| GN 515-ZD.*-50-45-SW | 50 | 45                   | 60 | 40     | 174 |
| GN 515-ZD.*-50-48-SW | 50 | 48                   | 60 | 40     | 167 |
| GN 515-ZD.*-50-52-SW | 50 | 52                   | 60 | 40     | 173 |
| GN 515-ZD.*-50-56-SW | 50 | 56                   | 60 | 40     | 173 |
| GN 515-ZD.*-50-60-SW | 50 | 60                   | 60 | 40     | 175 |
| GN 515-ZD.*-50-64-SW | 50 | 64                   | 60 | 40     | 177 |
| GN 515-ZD.*-50-68-SW | 50 | 68                   | 60 | 40     | 177 |
| GN 515-ZD.*-50-72-SW | 50 | 72                   | 60 | 40     | 185 |
| GN 515-ZD.*-50-77-SW | 50 | 77                   | 60 | 40     | 177 |
| GN 515-ZD.*-50-38-SW | 50 | 38                   | 60 | 40     | 174 |
| GN 515-ZD.*-50-42-SW | 50 | 42                   | 60 | 40     | 174 |
| GN 515-ZD.*-50-46-SW | 50 | 46                   | 60 | 40     | 174 |
| GN 515-ZD.*-50-50-SW | 50 | 50                   | 60 | 40     | 172 |
| GN 515-ZD.*-50-54-SW | 50 | 54                   | 60 | 40     | 173 |
| GN 515-ZD.*-50-58-SW | 50 | 58                   | 60 | 40     | 175 |
| GN 515-ZD.*-50-62-SW | 50 | 62                   | 60 | 40     | 176 |
| GN 515-ZD.*-50-66-SW | 50 | 66                   | 60 | 40     | 179 |
| GN 515-ZD.*-50-70-SW | 50 | 70                   | 60 | 40     | 182 |
| GN 515-ZD.*-50-74-SW | 50 | 74                   | 60 | 40     | 184 |
| GN 515-ZD.*-50-82-SW | 50 | 82                   | 60 | 40     | 189 |
| GN 515-ZD.*-60-46-SW | 60 | 46                   | 70 | 50     | 198 |
| GN 515-ZD.*-60-50-SW | 60 | 50                   | 70 | 50     | 196 |
| GN 515-ZD.*-60-55-SW | 60 | 55                   | 70 | 50     | 195 |
| GN 515-ZD.*-60-58-SW | 60 | 58                   | 70 | 50     | 188 |
| GN 515-ZD.*-60-62-SW | 60 | 62                   | 70 | 50     | 194 |
| GN 515-ZD.*-60-66-SW | 60 | 66                   | 70 | 50     | 194 |
| GN 515-ZD.*-60-70-SW | 60 | 70                   | 70 | 50     | 196 |
| GN 515-ZD.*-60-74-SW | 60 | 74                   | 70 | 50     | 198 |
| GN 515-ZD.*-60-78-SW | 60 | 78                   | 70 | 50     | 198 |
| GN 515-ZD.*-60-82-SW | 60 | 82                   | 70 | 50     | 206 |
| GN 515-ZD.*-60-87-SW | 60 | 87                   | 70 | 50     | 198 |
| GN 515-ZD.*-60-48-SW | 60 | 48                   | 70 | 50     | 195 |
| GN 515-ZD.*-60-52-SW | 60 | 52                   | 70 | 50     | 195 |
| GN 515-ZD.*-60-56-SW | 60 | 56                   | 70 | 50     | 195 |
| GN 515-ZD.*-60-60-SW | 60 | 60                   | 70 | 50     | 193 |
| GN 515-ZD.*-60-64-SW | 60 | 64                   | 70 | 50     | 194 |
| GN 515-ZD.*-60-68-SW | 60 | 68                   | 70 | 50     | 196 |
| GN 515-ZD.*-60-72-SW | 60 | 72                   | 70 | 50     | 197 |
| GN 515-ZD.*-60-76-SW | 60 | 76                   | 70 | 50     | 200 |
| GN 515-ZD.*-60-80-SW | 60 | 80                   | 70 | 50     | 203 |
| GN 515-ZD.*-60-84-SW | 60 | 84                   | 70 | 50     | 205 |
| GN 515-ZD.*-60-92-SW | 60 | 92                   | 70 | 50     | 210 |

Weight type SCK



Latches 13



\* Complete with type index of the latch  
**SG SK ST RG KG HG**

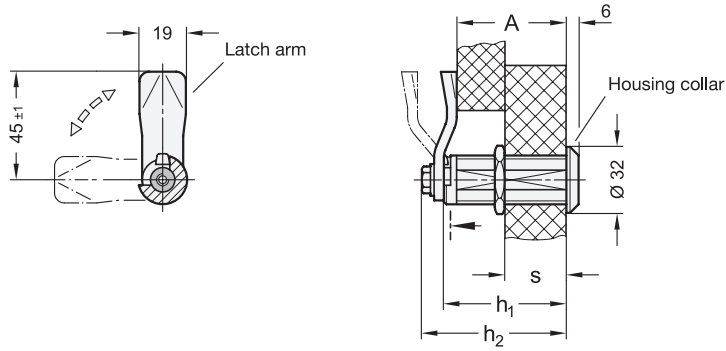
**GN 515-ZD**

| Description         | h <sub>1</sub> | Latch arm distance A | h <sub>2</sub> | s max. | ⚖️  |
|---------------------|----------------|----------------------|----------------|--------|-----|
| GN 515-ZD-*30-16-SW | 30             | 16                   | 40             | 20     | 145 |
| GN 515-ZD-*30-20-SW | 30             | 20                   | 40             | 20     | 143 |
| GN 515-ZD-*30-25-SW | 30             | 25                   | 40             | 20     | 142 |
| GN 515-ZD-*30-28-SW | 30             | 28                   | 40             | 20     | 135 |
| GN 515-ZD-*30-32-SW | 30             | 32                   | 40             | 20     | 141 |
| GN 515-ZD-*30-36-SW | 30             | 36                   | 40             | 20     | 141 |
| GN 515-ZD-*30-40-SW | 30             | 40                   | 40             | 20     | 143 |
| GN 515-ZD-*30-44-SW | 30             | 44                   | 40             | 20     | 145 |
| GN 515-ZD-*30-48-SW | 30             | 48                   | 40             | 20     | 145 |
| GN 515-ZD-*30-52-SW | 30             | 52                   | 40             | 20     | 153 |
| GN 515-ZD-*30-57-SW | 30             | 57                   | 40             | 20     | 145 |
| GN 515-ZD-*30-18-SW | 30             | 18                   | 40             | 20     | 142 |
| GN 515-ZD-*30-22-SW | 30             | 22                   | 40             | 20     | 142 |
| GN 515-ZD-*30-26-SW | 30             | 26                   | 40             | 20     | 142 |
| GN 515-ZD-*30-30-SW | 30             | 30                   | 40             | 20     | 140 |
| GN 515-ZD-*30-34-SW | 30             | 34                   | 40             | 20     | 141 |
| GN 515-ZD-*30-38-SW | 30             | 38                   | 40             | 20     | 143 |
| GN 515-ZD-*30-42-SW | 30             | 42                   | 40             | 20     | 144 |
| GN 515-ZD-*30-46-SW | 30             | 46                   | 40             | 20     | 147 |
| GN 515-ZD-*30-50-SW | 30             | 50                   | 40             | 20     | 150 |
| GN 515-ZD-*30-54-SW | 30             | 54                   | 40             | 20     | 152 |
| GN 515-ZD-*30-62-SW | 30             | 62                   | 40             | 20     | 157 |
| GN 515-ZD-*40-26-SW | 40             | 26                   | 50             | 30     | 165 |
| GN 515-ZD-*40-30-SW | 40             | 30                   | 50             | 30     | 163 |
| GN 515-ZD-*40-35-SW | 40             | 35                   | 50             | 30     | 162 |
| GN 515-ZD-*40-38-SW | 40             | 38                   | 50             | 30     | 155 |
| GN 515-ZD-*40-42-SW | 40             | 42                   | 50             | 30     | 161 |
| GN 515-ZD-*40-46-SW | 40             | 46                   | 50             | 30     | 161 |
| GN 515-ZD-*40-50-SW | 40             | 50                   | 50             | 30     | 163 |
| GN 515-ZD-*40-54-SW | 40             | 54                   | 50             | 30     | 165 |
| GN 515-ZD-*40-58-SW | 40             | 58                   | 50             | 30     | 165 |
| GN 515-ZD-*40-62-SW | 40             | 62                   | 50             | 30     | 173 |
| GN 515-ZD-*40-67-SW | 40             | 67                   | 50             | 30     | 165 |
| GN 515-ZD-*40-28-SW | 40             | 28                   | 50             | 30     | 162 |
| GN 515-ZD-*40-32-SW | 40             | 32                   | 50             | 30     | 162 |
| GN 515-ZD-*40-36-SW | 40             | 36                   | 50             | 30     | 162 |
| GN 515-ZD-*40-40-SW | 40             | 40                   | 50             | 30     | 160 |
| GN 515-ZD-*40-44-SW | 40             | 44                   | 50             | 30     | 161 |
| GN 515-ZD-*40-48-SW | 40             | 48                   | 50             | 30     | 163 |
| GN 515-ZD-*40-52-SW | 40             | 52                   | 50             | 30     | 164 |
| GN 515-ZD-*40-56-SW | 40             | 56                   | 50             | 30     | 167 |
| GN 515-ZD-*40-60-SW | 40             | 60                   | 50             | 30     | 170 |
| GN 515-ZD-*40-64-SW | 40             | 64                   | 50             | 30     | 172 |
| GN 515-ZD-*40-72-SW | 40             | 72                   | 50             | 30     | 177 |
| GN 515-ZD-*50-36-SW | 50             | 36                   | 60             | 40     | 182 |

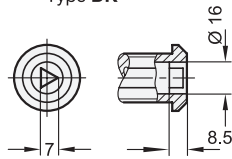
| Description         | h <sub>1</sub> | Latch arm distance A | h <sub>2</sub> | s max. | ⚖️  |
|---------------------|----------------|----------------------|----------------|--------|-----|
| GN 515-ZD-*50-40-SW | 50             | 40                   | 60             | 40     | 180 |
| GN 515-ZD-*50-45-SW | 50             | 45                   | 60             | 40     | 179 |
| GN 515-ZD-*50-48-SW | 50             | 48                   | 60             | 40     | 172 |
| GN 515-ZD-*50-52-SW | 50             | 52                   | 60             | 40     | 178 |
| GN 515-ZD-*50-56-SW | 50             | 56                   | 60             | 40     | 178 |
| GN 515-ZD-*50-60-SW | 50             | 60                   | 60             | 40     | 180 |
| GN 515-ZD-*50-64-SW | 50             | 64                   | 60             | 40     | 182 |
| GN 515-ZD-*50-68-SW | 50             | 68                   | 60             | 40     | 182 |
| GN 515-ZD-*50-72-SW | 50             | 72                   | 60             | 40     | 190 |
| GN 515-ZD-*50-77-SW | 50             | 77                   | 60             | 40     | 182 |
| GN 515-ZD-*50-38-SW | 50             | 38                   | 60             | 40     | 179 |
| GN 515-ZD-*50-42-SW | 50             | 42                   | 60             | 40     | 179 |
| GN 515-ZD-*50-46-SW | 50             | 46                   | 60             | 40     | 179 |
| GN 515-ZD-*50-50-SW | 50             | 50                   | 60             | 40     | 177 |
| GN 515-ZD-*50-54-SW | 50             | 54                   | 60             | 40     | 178 |
| GN 515-ZD-*50-58-SW | 50             | 58                   | 60             | 40     | 180 |
| GN 515-ZD-*50-62-SW | 50             | 62                   | 60             | 40     | 181 |
| GN 515-ZD-*50-66-SW | 50             | 66                   | 60             | 40     | 184 |
| GN 515-ZD-*50-70-SW | 50             | 70                   | 60             | 40     | 187 |
| GN 515-ZD-*50-74-SW | 50             | 74                   | 60             | 40     | 189 |
| GN 515-ZD-*50-82-SW | 50             | 82                   | 60             | 40     | 194 |
| GN 515-ZD-*60-46-SW | 60             | 46                   | 70             | 50     | 198 |
| GN 515-ZD-*60-50-SW | 60             | 50                   | 70             | 50     | 196 |
| GN 515-ZD-*60-55-SW | 60             | 55                   | 70             | 50     | 195 |
| GN 515-ZD-*60-58-SW | 60             | 58                   | 70             | 50     | 188 |
| GN 515-ZD-*60-62-SW | 60             | 62                   | 70             | 50     | 194 |
| GN 515-ZD-*60-66-SW | 60             | 66                   | 70             | 50     | 194 |
| GN 515-ZD-*60-70-SW | 60             | 70                   | 70             | 50     | 196 |
| GN 515-ZD-*60-74-SW | 60             | 74                   | 70             | 50     | 198 |
| GN 515-ZD-*60-78-SW | 60             | 78                   | 70             | 50     | 198 |
| GN 515-ZD-*60-82-SW | 60             | 82                   | 70             | 50     | 206 |
| GN 515-ZD-*60-87-SW | 60             | 87                   | 70             | 50     | 198 |
| GN 515-ZD-*60-48-SW | 60             | 48                   | 70             | 50     | 195 |
| GN 515-ZD-*60-52-SW | 60             | 52                   | 70             | 50     | 195 |
| GN 515-ZD-*60-56-SW | 60             | 56                   | 70             | 50     | 195 |
| GN 515-ZD-*60-60-SW | 60             | 60                   | 70             | 50     | 193 |
| GN 515-ZD-*60-64-SW | 60             | 64                   | 70             | 50     | 194 |
| GN 515-ZD-*60-68-SW | 60             | 68                   | 70             | 50     | 196 |
| GN 515-ZD-*60-72-SW | 60             | 72                   | 70             | 50     | 197 |
| GN 515-ZD-*60-76-SW | 60             | 76                   | 70             | 50     | 200 |
| GN 515-ZD-*60-80-SW | 60             | 80                   | 70             | 50     | 203 |
| GN 515-ZD-*60-84-SW | 60             | 84                   | 70             | 50     | 205 |
| GN 515-ZD-*60-92-SW | 60             | 92                   | 70             | 50     | 210 |

Weight type SG

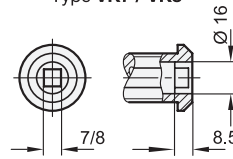




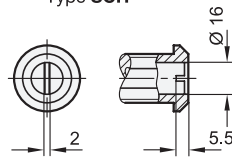
Type DK



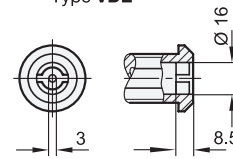
Type VK7 / VK8



Type SCH



Type VDE



\* Complete with type index of the latch

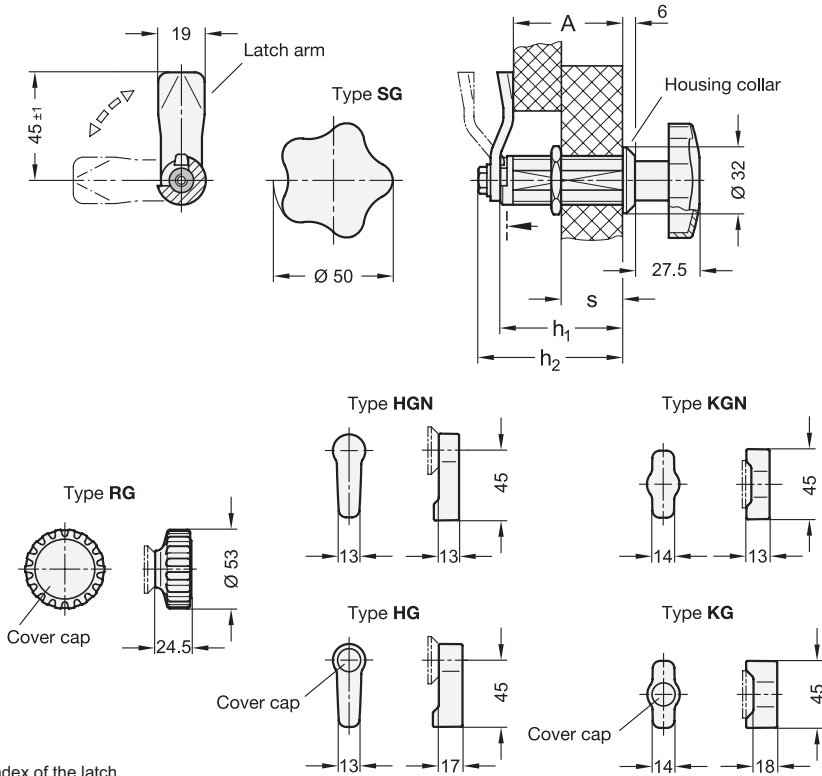
DK VK7 VK8 SCH VDE

GN 515-NI

STAINLESS STEEL

| Description         | h <sub>1</sub> | Latch arm distance A | h <sub>2</sub> | s max. | ⚖   |
|---------------------|----------------|----------------------|----------------|--------|-----|
| GN 515-NI-*30-18-BL | 30             | 18                   | 40             | 20     | 114 |
| GN 515-NI-*30-22-BL | 30             | 22                   | 40             | 20     | 112 |
| GN 515-NI-*30-26-BL | 30             | 26                   | 40             | 20     | 110 |
| GN 515-NI-*30-30-BL | 30             | 30                   | 40             | 20     | 110 |
| GN 515-NI-*30-32-BL | 30             | 32                   | 40             | 20     | 110 |
| GN 515-NI-*30-34-BL | 30             | 34                   | 40             | 20     | 110 |
| GN 515-NI-*30-36-BL | 30             | 36                   | 40             | 20     | 105 |
| GN 515-NI-*30-38-BL | 30             | 38                   | 40             | 20     | 111 |
| GN 515-NI-*30-40-BL | 30             | 40                   | 40             | 20     | 113 |
| GN 515-NI-*30-42-BL | 30             | 42                   | 40             | 20     | 105 |
| GN 515-NI-*30-46-BL | 30             | 46                   | 40             | 20     | 116 |
| GN 515-NI-*30-50-BL | 30             | 50                   | 40             | 20     | 119 |
| GN 515-NI-*30-52-BL | 30             | 52                   | 40             | 20     | 115 |
| GN 515-NI-*30-62-BL | 30             | 62                   | 40             | 20     | 146 |
| GN 515-NI-*50-38-BL | 50             | 38                   | 60             | 40     | 163 |
| GN 515-NI-*50-42-BL | 50             | 42                   | 60             | 40     | 161 |
| GN 515-NI-*50-46-BL | 50             | 46                   | 60             | 40     | 159 |
| GN 515-NI-*50-50-BL | 50             | 50                   | 60             | 40     | 159 |
| GN 515-NI-*50-52-BL | 50             | 52                   | 60             | 40     | 159 |
| GN 515-NI-*50-54-BL | 50             | 54                   | 60             | 40     | 159 |
| GN 515-NI-*50-56-BL | 50             | 56                   | 60             | 40     | 154 |
| GN 515-NI-*50-58-BL | 50             | 58                   | 60             | 40     | 160 |
| GN 515-NI-*50-60-BL | 50             | 60                   | 60             | 40     | 162 |
| GN 515-NI-*50-62-BL | 50             | 62                   | 60             | 40     | 154 |
| GN 515-NI-*50-66-BL | 50             | 66                   | 60             | 40     | 165 |
| GN 515-NI-*50-70-BL | 50             | 70                   | 60             | 40     | 168 |
| GN 515-NI-*50-72-BL | 50             | 72                   | 60             | 40     | 164 |
| GN 515-NI-*50-82-BL | 50             | 82                   | 60             | 40     | 195 |

Weight type DK



\* Complete with type index of the latch

RG KG HG SG KGN HGN

GN 515-NI

STAINLESS STEEL

| Description          | h <sub>1</sub> | Latch arm distance A | h <sub>2</sub> | s max. | ⚖   |
|----------------------|----------------|----------------------|----------------|--------|-----|
| GN 515-NI-*-30-18-BL | 30             | 18                   | 40             | 20     | 153 |
| GN 515-NI-*-30-22-BL | 30             | 22                   | 40             | 20     | 151 |
| GN 515-NI-*-30-26-BL | 30             | 26                   | 40             | 20     | 149 |
| GN 515-NI-*-30-30-BL | 30             | 30                   | 40             | 20     | 149 |
| GN 515-NI-*-30-32-BL | 30             | 32                   | 40             | 20     | 149 |
| GN 515-NI-*-30-34-BL | 30             | 34                   | 40             | 20     | 149 |
| GN 515-NI-*-30-36-BL | 30             | 36                   | 40             | 20     | 144 |
| GN 515-NI-*-30-38-BL | 30             | 38                   | 40             | 20     | 150 |
| GN 515-NI-*-30-40-BL | 30             | 40                   | 40             | 20     | 152 |
| GN 515-NI-*-30-42-BL | 30             | 42                   | 40             | 20     | 144 |
| GN 515-NI-*-30-46-BL | 30             | 46                   | 40             | 20     | 155 |
| GN 515-NI-*-30-50-BL | 30             | 50                   | 40             | 20     | 158 |
| GN 515-NI-*-30-52-BL | 30             | 52                   | 40             | 20     | 154 |
| GN 515-NI-*-30-62-BL | 30             | 62                   | 40             | 20     | 185 |
| GN 515-NI-*-50-38-BL | 50             | 38                   | 60             | 40     | 203 |
| GN 515-NI-*-50-42-BL | 50             | 42                   | 60             | 40     | 201 |
| GN 515-NI-*-50-46-BL | 50             | 46                   | 60             | 40     | 199 |
| GN 515-NI-*-50-50-BL | 50             | 50                   | 60             | 40     | 199 |
| GN 515-NI-*-50-52-BL | 50             | 52                   | 60             | 40     | 199 |
| GN 515-NI-*-50-54-BL | 50             | 54                   | 60             | 40     | 199 |
| GN 515-NI-*-50-56-BL | 50             | 56                   | 60             | 40     | 194 |
| GN 515-NI-*-50-58-BL | 50             | 58                   | 60             | 40     | 200 |
| GN 515-NI-*-50-60-BL | 50             | 60                   | 60             | 40     | 202 |
| GN 515-NI-*-50-62-BL | 50             | 62                   | 60             | 40     | 194 |
| GN 515-NI-*-50-66-BL | 50             | 66                   | 60             | 40     | 205 |
| GN 515-NI-*-50-70-BL | 50             | 70                   | 60             | 40     | 208 |
| GN 515-NI-*-50-72-BL | 50             | 72                   | 60             | 40     | 204 |
| GN 515-NI-*-50-82-BL | 50             | 82                   | 60             | 40     | 235 |

Weight type RG